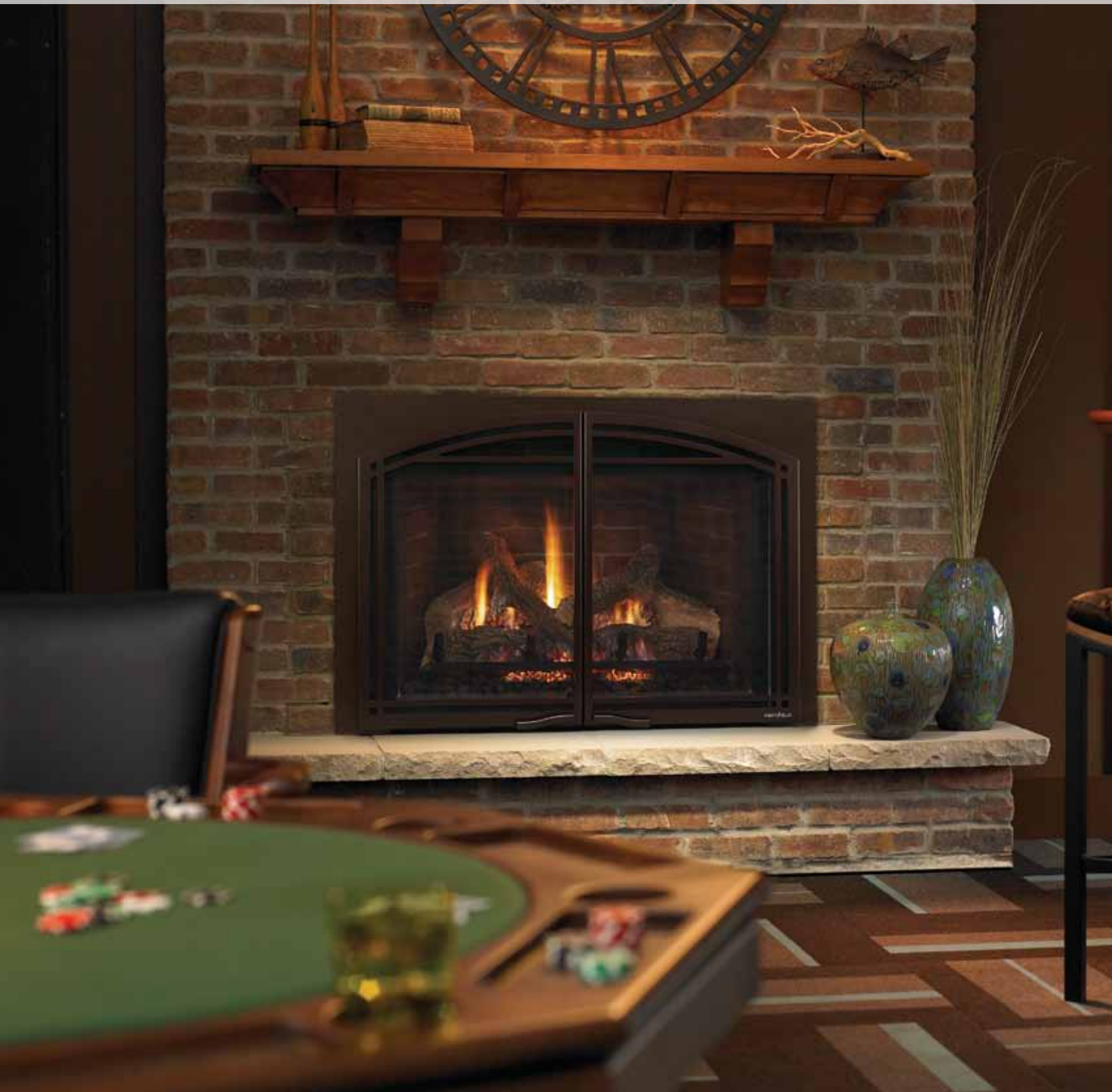


HEAT & GLO™



DESIGNED | *to inspire*

GAS FIREBRICK® INSERTS
For Fireplaces

FIREBRICK INSERTS

Comfort and convenience in an exclusive design.

Heat & Glo FireBrick inserts offer more features than any other insert on the market today. A large, realistic flame and log set are easily visible through the large viewing area. An illuminated ember bed adds a realistic glow with or without the flame. Providing incredible heat efficiency, the electronic ignition features a full function remote control. Six front options are available in several modern finishes to complete the new gas FireBrick inserts and complement any room décor.



GAS FIREBRICK INSERTS



ESCAPE-I35FB

The Escape-I35FB ensures dependable and energy efficient heating. With the largest viewing area available and a variety of front options, the Escape-I35FB completes the look and feel of any room. Escape-I35FB shown with Galleria front in New Bronze.



ESCAPE-I30FB

The Escape-I30FB instantly creates a warm and cozy atmosphere. The efficient and reliable heat is easily controlled and produced on demand with the IntelliFire Plus remote control option. Various fronts and finish options complement any décor. Escape-I30FB shown with Vision front in Graphite.



FIREBRICK TECHNOLOGY

Our exclusive FireBrick technology resists rust and corrosion on the interior of the firebox and eliminates noise associated with the heating and cooling of metal. FireBrick technology also generates, retains, and radiates significantly more heat into the room than a metal fireplace.



Constructed from a patented ceramic fiber material, FireBrick technology has three layers. The impermeable inner and outer layers are for strength while the center layer features air pockets for high insulating capabilities.



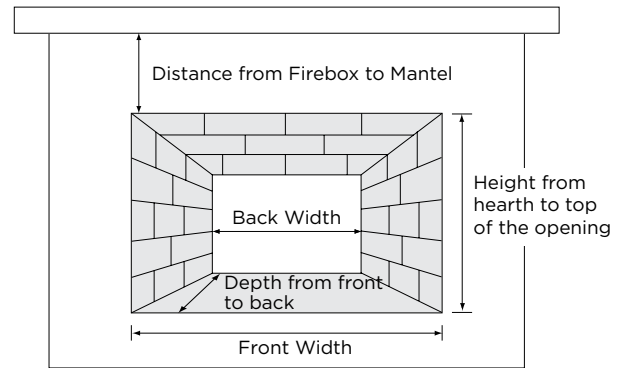
A NEW FIREPLACE in four easy steps

- 1) Measure your existing fireplace
- 2) Choose your insert
- 3) Choose your surround
- 4) Finish with a front

GAS FIREBRICK INSERTS

STEP 1 MEASURE YOUR EXISTING FIREPLACE

We'll need the height, width and depth of the existing fireplace opening to ensure that the proper-sized insert is selected.



STEP 2 CHOOSE YOUR INSERT

There are two main factors to consider when selecting an insert. First, consider the height of your existing fireplace opening. Second, consider how the insert will be used. Do you have a large room, do you want a lot of heat or a little, and how long do you plan to run the fireplace? These answers will direct you to the insert that is ideal for you and your home.



ESCAPE-I35FB

- Min. fireplace opening: 24-7/8" high
- Ideal size for larger firebox openings
- 40,000 Btu/Hr Input (NG)
- 7 oak-style logs



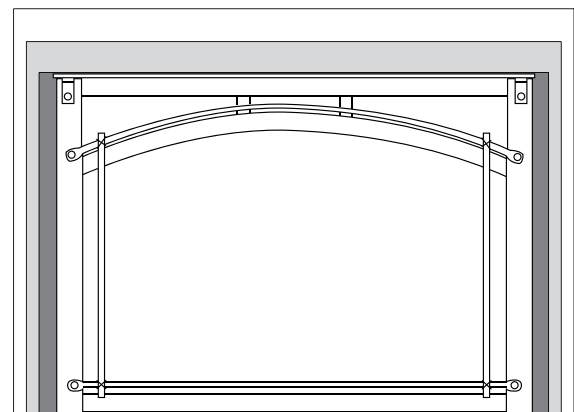
ESCAPE-I30FB

- Min. fireplace opening: 22-3/4" high
- Ideal size for smaller firebox openings
- 35,000 Btu/Hr Input (NG)
- 6 oak-style logs

STEP 3 CHOOSE YOUR SURROUND

To bring a finished and polished look to your new insert, you need a matching metal surround to cover the gap between the insert and your existing fireplace opening. Offered in three fixed, non-adjustable sizes and color options, including black, graphite, and new bronze, you're sure to find the perfect fit for your space.

| SURROUND | ESCAPE-I35FB | ESCAPE-I30FB |
|----------|--------------|--------------|
| Small | 42" x 29" | 40" x 27" |
| Medium | 44" x 32" | 42" x 30" |
| Large | 48" x 32" | 44" x 32" |



■ SMALL SURROUND ■ MEDIUM SURROUND □ LARGE SURROUND

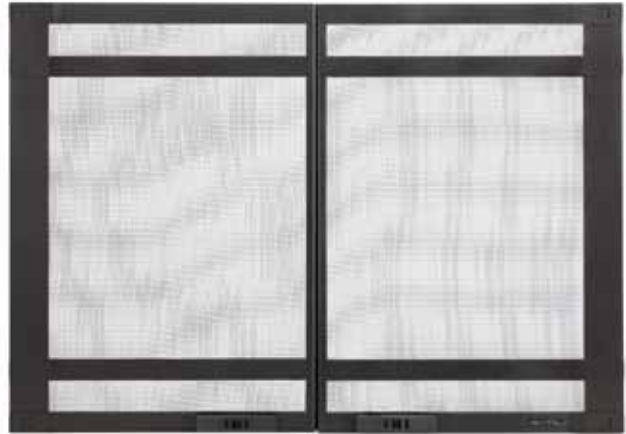
GAS FIREBRICK INSERTS

STEP 4 FINISH WITH A FRONT

Complete your insert with a stylish front or operable door, available in three finishes.



Firescreen front



Halston operable door



Glass front (Available for the Escape-I35FB only)



Vision operable door* (with incorporated surround)



Chateau Forge front (Available in hammered steel only)



Galleria operable door



Black (BK)



New Bronze (NB)



Graphite (GT)

* Vision operable doors should be in the open position if operating an optional blower (GFK-210). Not available in large surround size.

GAS FIREBRICK INSERTS

EMBER LIGHTING

Highlighting the realistic features of the gas FireBrick inserts, innovative ember lighting enhances glowing logs and ember bed and can also be used when the insert is not in use to cast a warm glow into the room.



INTELLIFIRE PLUS IGNITION SYSTEM AND WIRELESS RC300 CONTROL



All Heat & Glo FireBrick inserts include the IntelliFire Plus ignition system to save fuel, improve efficiency and make your fire easier to use. The IntelliFire Plus Ignition System is an “intelligent” control system providing energy conservation and the comfort of a roaring fire, all at your fingertips! IntelliFire Plus features intermittent-pilot ignition (IPI) allowing you to conserve fuel and money when the fireplace is not in use. Optional constant pilot mode allows you to leave the pilot flame on in cold climates. In addition, the system offers seamless transition from AC to battery backup in a power outage, as well as built-in safety features and memory settings. Lastly, our new family of IntelliFire Plus wireless and ergonomic controls provides stylish and fully featured benefits that make controlling your heat easier than ever.

INTELLIFIRE PLUS RC300 The RC300 comes standard with all Heat & Glo FireBrick inserts and incorporates an LCD screen, intuitive menus and large control buttons in a sleek and modern design. This wireless control gives you the flexibility to use as a remote only or mount on the wall anywhere in the room.

Model: RC300-HNG

Features: Auto Battery Backup, Pilot Activation, On/Off, 5 Step Flame Height, Fan Speed (Auxiliary 1), Two Additional Auxiliary Functions, Room Temperature Readout, Thermostat Mode, Timer Mode, Child Lock, Wall Docking Station



U.S. EFFICIENCIES

Steady State - Since most homeowners use their fireplaces for an extended time while they are in the room, Steady State measures how efficiently your fireplace converts fuel to heat once it is warmed up and running in a “steady state”.

AFUE - AFUE rating is more typically used with appliances, like your furnace, that continually cycle on and off to maintain a constant temperature.

| RATING | ESCAPE-I35FB | ESCAPE-I35FB-LP | ESCAPE-I30FB | ESCAPE-I30FB-LP |
|--------------|--------------|-----------------|--------------|-----------------|
| Steady State | 85.8% | 86.0% | 85.8% | 85.5% |
| AFUE | 73.1% | 73.8% | 70.1% | 70.0% |

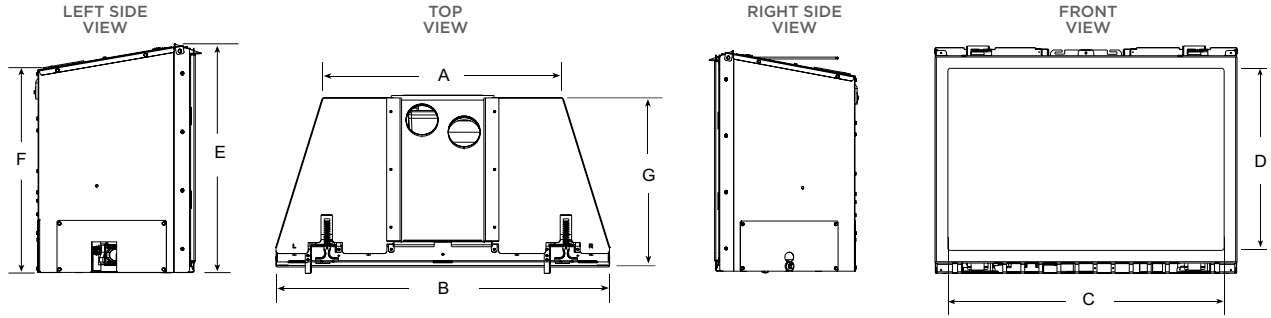
CANADA EFFICIENCIES

EnerGuide (CSA P4.1-02) - EnerGuide is a rating used in Canada to measure annual fireplace efficiency.

| RATING | ESCAPE-I35FB | ESCAPE-I35FB-LP | ESCAPE-I30FB | ESCAPE-I30FB-LP |
|--------------------------|--------------|-----------------|--------------|-----------------|
| EnerGuide (CSA P.4.1-02) | 72.9% | 73.8% | 68.8% | 69.3% |

GAS FIREBRICK INSERT SPECIFICATIONS

| MODEL | FRONT WIDTH | | BACK WIDTH | | HEIGHT | | DEPTH | | VIEWING AREA | Btu/Hour Input (NG) |
|-------------------------------|-------------|----------------------|------------|----------------------|--------|----------------------|--------|----------------------|--------------|---------------------|
| | UNIT | MIN. FIREBOX OPENING | UNIT | MIN. FIREBOX OPENING | UNIT | MIN. FIREBOX OPENING | UNIT | MIN. FIREBOX OPENING | | |
| ESCAPE-I35FB, ESCAPE-I35FB-LP | 34-3/4 | 35 | 25-1/4 | 25-1/2 | 24-5/8 | 24-7/8 | 17 | 18-1/4 | 31-1/2 x 20 | 40,000 - 20,000 |
| ESCAPE-I30FB, ESCAPE-I30FB-LP | 30 | 30-1/4 | 21-1/4 | 21-1/2 | 22-5/8 | 22-3/4 | 15-5/8 | 16-7/8 | 26-3/4 x 18 | 36,000 - 17,000 |



| MODEL | A | B | C | D | E | F | G |
|-------------------------------|--------|--------|--------|----|--------|--------|--------|
| ESCAPE-I35FB, ESCAPE-I35FB-LP | 25-1/4 | 34-3/4 | 31-1/2 | 20 | 24-5/8 | 22 | 17 |
| ESCAPE-I30FB, ESCAPE-I30FB-LP | 21-1/4 | 30 | 26-3/4 | 18 | 22-5/8 | 20-3/8 | 15-5/8 |

Dimensions above are in inches. Reference dimensions only. We recommend measuring individual units at installation. NOTE: Combustible material should not be installed over the face. Make sure you do NOT cover the decorative door opening.

Refer to installation manual for detailed specifications on installing this product. Heat & Glo reserves the right to update units periodically. The flame and ember appearance may vary based on the type of fuel burned and the venting configuration used. Pictures in this brochure are not a true representation of the fireplace and/or flames.

For complete information on this model, please contact us at:

HEAT & GLO

No one builds a better fire

A brand of Hearth & Home Technologies Inc.®
 7571 215th Street West, Lakeville, MN 55044
 Web: heatnglo.com
 Phone: (888) 427-3973 (952) 985-6000
 E-mail: info@heatnglo.com

*For full warranty details, go to www.heatnglo.com.

LIMITED LIFETIME WARRANTY*

The strongest in the industry, Heat & Glo provides a limited lifetime warranty on the most important aspects: firebox and heat exchanger.



HNG-1095U-1010

